

P60.916



STANDARD PRESSURE GAUGES STEEL CASE

CASE DIAMETER

40, 50 and 63 mm

ACCURACY CLASS PER EN 837-1/6

2.5

SCALE RANGES PER EN 837-1/5

-1...0 to 0...400 bar
or equivalent other units of pressure
or vacuum

WORKING PRESSURE

Steady: 3/4 of full scale value
Fluctuating: 2/3 of full scale value
Short time: full scale value

OPERATING TEMPERATURE

Ambient: - 20 to + 60 °C
Process fluid: max 60 °C

STANDARD FEATURES

PROCESS CONNECTION

Material: brass
Thread size: 1/8" BSP, BSPT or NPT M
lower or centre back
for diameter 40 mm
Thread size: 1/4" BSP, BSPT or NPT M
lower or center back
for diameter 50 and 63 mm

PRESSURE ELEMENT

Bourdon tube
Material: phosphor bronze

MEASURING SYSTEM

Bourdon tube and socket are tin
alloy-welded; one integral unit

MOVEMENT

Cu-alloy

DIAL

Plastic with black markings on white
background, with pointer stop pin

POINTER

Plastic black for back connection
Black aluminium for lower connection

CASE

Steel, black finish

WINDOW

Snap-on pycarbonate

OPTIONAL EXTRAS

Other process connection
Red indicator pointer on lens
Customer dial layout
Accuracy class 1.6
Stainless steel case
Chromed case
Nicked socket
Green sector on swivel lens
Blow out back

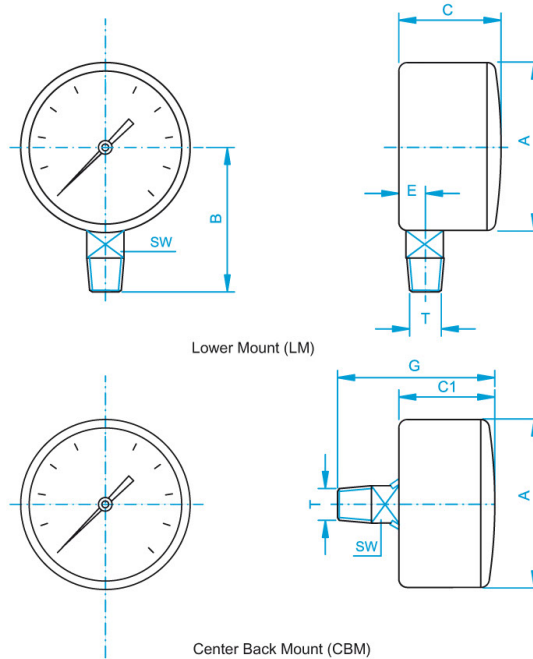


Calle Pirita 12450 Galpón 22
La Chimba Alto Antofagasta - Fono (55) 261 8313
www.promid.cl

P60.916



STANDARD PRESSURE GAUGES - STEEL CASE



Dimensions (mm)

Size	A	B	C	C1	E	G	T*	SW
40	41.5	36.8	23.4	27	7.7	47.3	1/8"	11
50	48.7	44.1	27	27	9.7	50.3	1/8"-1/4"	14
63	61.6	53.3	28	28	10	51.3	1/4"	14

* BSP,BSP-T,NPT

In the interest of technical progress ITEC reserves the right to modify, without prior notice, the specifications and material mentioned.

HOW TO ORDER

- 1) NOMINAL SIZE**
40 50 63
- 2) BASIC MODEL**
P60.916
- 3) GAUGE CONNECTION**

1 1/4" BSPT - M	2 1/4" NPT - M	3 1/4" BSP - M
4 1/8" BSPT	5 1/8" NPT	6 1/8" BSP
- 4) TYPE OF MOUNTING**
L DIRECT BOTTOM ENTRY R DIRECT CENTRE BACK ENTRY
- 5) SCALE RANGE:** 0...1 to 0...400 bar
or equivalent other units of pressure or vacuum
- 6) OPTIONS**

OC ACCURACY CLASS 1,6 %	RH CUSTOMER DESIGNED DIAL	BB BLOW OUT BACK
SS STAINLESS STEEL CASE	CN CHROMED CASE	NS NICKELED SOCKET
GS GREEN SECTOR (AND/OR RED POINTER) SWIVEL LENS		

EXAMPLE :

1	·	2	·	3	·	4	·	5	·	6
---	---	---	---	---	---	---	---	---	---	---

63	·	P60.916	·	1	·	L	·	10 BAR	·	OC
----	---	---------	---	---	---	---	---	--------	---	----

Calle Pirita 12450 Galpón 22
La Chimba Alto Antofagasta - Fono (55) 261 8313
www.promid.cl