

P60.511



WELDING & COMPRESSED GAS GAUGES COPPER ALLOY WETTED PARTS BAM CERTIFICATED DN63 ONLY

SERVICE INTENDED

Fluid medium which does not clog connection port
For indicating cylinder pressure of compressed non-corrosive gases Typically welding, cutting and related processes, beverage tapping
Any medium which oxidizes with oil bases materials

CASE DIAMETER

50 and 63 mm

ACCURACY CLASS PER EN 837-1/6

2.5

SCALE RANGES PER EN 837-1/5

0...1 to 0...400 bar
or equivalent other units of pressure or vacuum

WORKING PRESSURE

Steady: 3/4 of full scale value
Fluctuating: 2/3 of full scale value
Short time: full scale value

OPERATING TEMPERATURE

Ambient: - 20 to + 60 °C
Process fluid: max 60 °C

STANDARD FEATURES

PROCESS CONNECTION

Material: copper alloy
Thread size: 1/4" BSP or NPT M with restrictor; lower

PRESSURE ELEMENT

Material: copper alloy
(low copper content for use with acetylene)
≤ 40 bar: C-type
> 60 bar: helical-type

MEASURING SYSTEM

Bourdon tube and socket are tin alloy-welded; one integral unit

MOVEMENT

Copper alloy

DIAL

Aluminium with black markings on white background

POINTER

Black aluminium

CASE

Steel, gold painted finish, with pressure vent in back

WINDOW

Snap-on polycarbonate

OPTIONAL EXTRAS

Other process connection
Chrome plated case, green or black painted case
Customer dial layout
Aluminium gasket on socket
Nicked socket

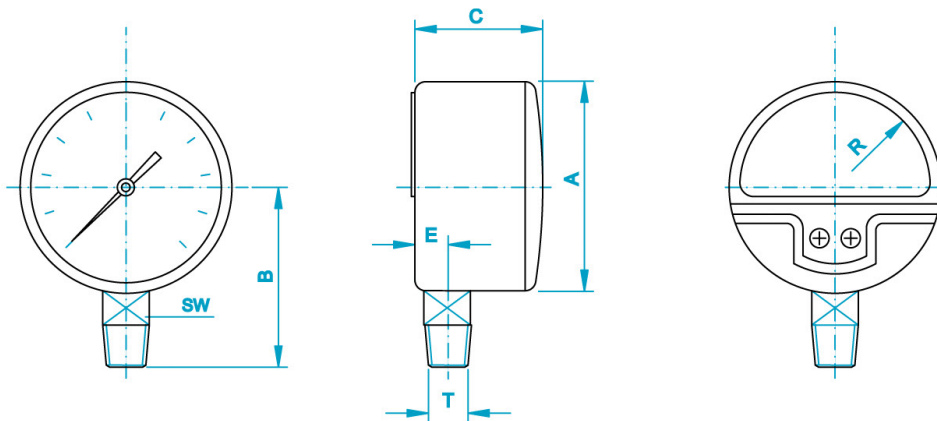


Calle Pirita 12450 Galpón 22
La Chimba Alto Antofagasta - Fono (55) 261 8313
www.promid.cl

P60.511



WELDING & COMPRESSED GAS GAUGES COPPER ALLOY WETTED PARTS BAM CERTIFICATED DN63 ONLY



Lower Mount (LM)

Dimensions (mm)

Size	A	B	C	E	R	T*	SW
50	48.7	45.4	27.8	9.5	21	1/4"	14
63	61.6	55.7	29.8	9.5	26		14

* NPT or BSP

In the interest of technical progress ITEC reserves the right to modify, without prior notice, the specifications and material mentioned.

HOW TO ORDER

1) NOMINAL SIZE

50 **63**

2) BASIC MODEL

P60.511

3) GAUGE CONNECTION

1 1/4" BSPT - M **2** 1/4" NPT - M **3** 1/4" BSP - M

4) TYPE OF MOUNTING

L DIRECT BOTTOM ENTRY

5) SCALE RANGE:

0...1 to 0...400 bar
or equivalent other units of pressure or vacuum

6) OPTIONS

RH CUSTOMER DESIGNED DIAL **CN** CHROMED CASE

NS NICKELED SOCKET

BC BLACK PAINTED CASE

GC GREEN PAINTED CASE

AG ALUMINIUM GASKET ON SOCKET

1 · **2** · **3** · **4** · **5** · **6**

EXAMPLE :

63 · **P60.511** · **3** · **L** · **250 BAR** · **AG**

**Calle Pirita 12450 Galpón 22
La Chimba Alto Antofagasta - Fono (55) 261 8313**

www.promid.cl