

P60.505



STANDARD PRESSURE GAUGES

CASE DIAMETER

40, 50, 63, 80, 100 and 150 mm

ACCURACY CLASS PER EN 837-1/6

2.5 (case diameter 40, 50, 63 mm)
1.6 (case diameter 80, 100, 150 mm)

SCALE RANGES PER EN 837-1/5

0...1 to 0...250 bar
(case diameter 40 and 50 mm)
0...1 to 0...400 bar
(case diameter 63, 80, 100
and 150 mm)
or equivalent other units of pressure or
vacuum

WORKING PRESSURE

Steady: 3/4 of full scale value
Fluctuating: 2/3 of full scale value
Short time: full scale value

OPERATING TEMPERATURE

Ambient: - 20 to + 60 °C
Process fluid: max 60 °C

STANDARD FEATURES

PROCESS CONNECTION

Material: copper alloy
Thread size: 1/8" BSP, BSPT or NPT M;
lower or centre back;
for diameter 40 mm
Thread size: 1/4" BSP, BSPT or NPT M;
lower or centre back;
for diameter 50 and 63 mm
Thread size: 1/2" BSP, BSPT or NPT M;
lower or centre back; for diameter 80
Thread size: 1/2" BSP, BSPT or NPT M;
lower; for diameter 100 and 150

PRESSURE ELEMENT

Bourdon tube
Material: phosphor bronze

MEASURING SYSTEM

Bourdon tube and socket are tin
alloy-welded; one integral unit

MOVEMENT

Cu-alloy

DIAL

Aluminium with black markings on
white background, with pointer stop
pin

POINTER

Black aluminium

CASE

Steel, black painted

RING

Steel, black painted

WINDOW

Glass

MOUNTING

Stem mounting
Panel mounting U - clamp with
stainless steel crimped ring

OPTIONAL EXTRAS

Other process connection
Customer dial layout
Accuracy class 1.6 for case diameter 50
and 63 mm
Case diameter 30 mm (only back moun-
ting)
Nicked socket
Stainless steel case on 40, 50
and 63 mm only



Case DN 100

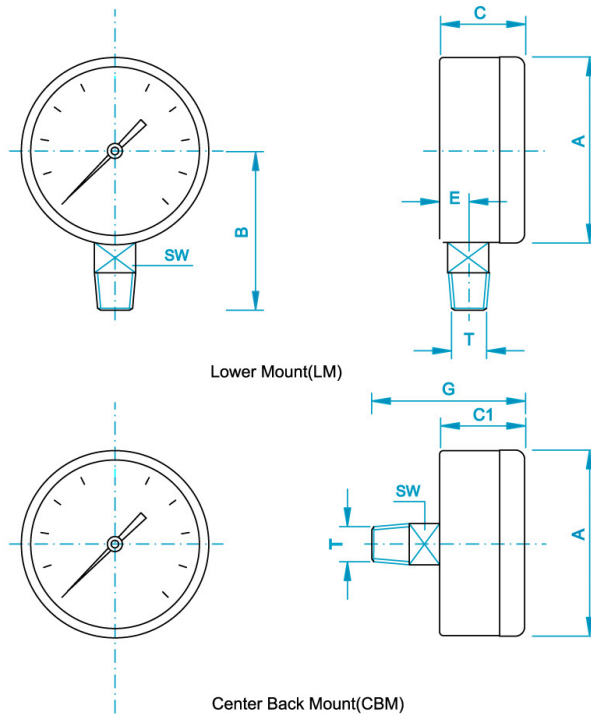


Calle Pirita 12450 Galpón 22
La Chimba Alto Antofagasta - Fono (55) 261 8313
www.promid.cl

P60.505



STANDARD PRESSURE GAUGES



Dimensions (mm)

Size	A	B	C	C1	E	G	T*	SW
40	41.6	36.8	22.7	24	8.3	38.8	1/8"	11
50	52.8	45.6	26.4	26.4	9.3	48.5	1/4"	14
63	63.2	53.6	29.8	31.8	9.8	53.1		14

* BSP,BSP-T,NPT

In the interest of technical progress IEC reserves the right to modify, without prior notice, the specifications and material mentioned.

HOW TO ORDER

1) NOMINAL SIZE

40 50 63

2) BASIC MODEL : **P60.505**

3) GAUGE CONNECTION

1 1/4" BSPT - M **2** 1/4" NPT - M **3** 1/4" BSP - M **4** 1/8" BSPT **5** 1/8" NPT **6** 1/8" BSP
7 1/2" NPT - M **8** 1/2" BSP - M **9** 3/8" BSP - M **10** 3/8" NPT - M **11** M 20 x 1,5

4) TYPE OF MOUNTING

L DIRECT BOTTOM ENTRY **R** DIRECT CENTRE BACK ENTRY
RB CENTRE BACK ENTRY WITH MOUNTING BRACKET (U-CLAMP)

5) SCALE RANGE:

0...1 to 0...250 bar (case diameter 40, 50 mm) - 0...1 to 0...400 bar (case diameter 63, 80, 100 mm)
 0...1 to 0...40 bar (case diameter 150 mm)
 or equivalent other units of pressure or vacuum

6) OPTIONS

OC ACCURACY CLASS 1,6 % (case diameter 50, 63 mm) **RH** CUSTOMER DESIGNED DIAL
NS NICKELED SOCKET **SS** STAINLESS STEEL CASE

1 · **2** · **3** · **4** · **5** · **6**

EXAMPLE : **63** · **P60.505** · **1** · **R** · **16 BAR** · **NS**

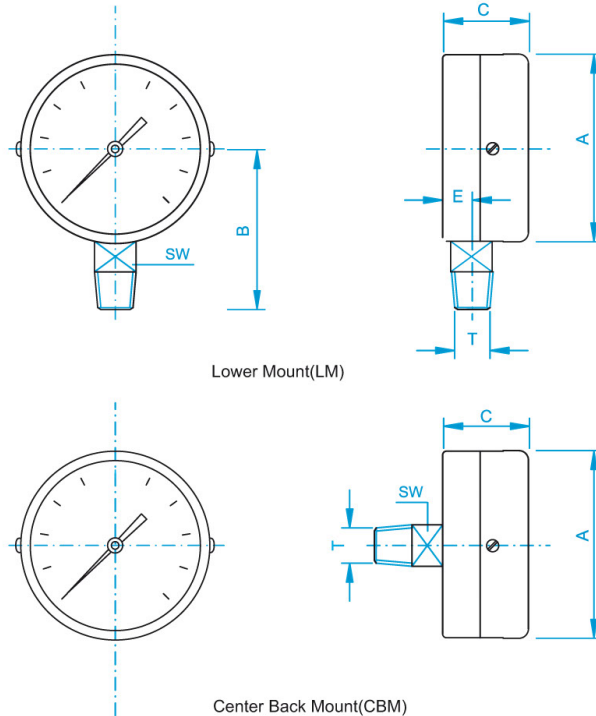
Calle Pirita 12450 Galpón 22
La Chimba Alto Antofagasta - Fono (55) 261 8313

www.promid.cl

P60.505



STANDARD PRESSURE GAUGES



Lower Mount(LM)

Center Back Mount(CBM)

Dimensions (mm)

Size	A	B	C	E	T *	SW
80	89.6	66.8	30,2	10,1	1/2"	14
100	100,5	83,3	36,2	13,1		14
150	150	117,8	43	21,7		22

* BSP,BSP-T,NPT

In the interest of technical progress, IIEC reserves the right to modify, without prior notice, the specifications and material mentioned.

HOW TO ORDER

- 1) NOMINAL SIZE**
80 **100** **150**
- 2) BASIC MODEL : P60.505**
- 3) GAUGE CONNECTION**
1 1/4" BSPT - M **2** 1/4" NPT - M **3** 1/4" BSP - M **4** 1/8" BSPT **5** 1/8" NPT **6** 1/8" BSP
7 1/2" NPT - M **8** 1/2" BSP - M **9** 3/8" BSP - M **10** 3/8" NPT - M **11** M 20 x 1,5
- 4) TYPE OF MOUNTING**
L DIRECT BOTTOM ENTRY **R** DIRECT CENTRE BACK ENTRY
RB CENTRE BACK ENTRY WITH MOUNTING BRACKET (U-CLAMP)
- 5) SCALE RANGE:**
0...1 to 0...250 bar (case diameter 40, 50 mm) - 0...1 to 0...400 bar (case diameter 63, 80, 100 mm)
0...1 to 0...40 bar (case diameter 150 mm)
or equivalent other units of pressure or vacuum
- 6) OPTIONS**
OC ACCURACY CLASS 1,6 % (case diameter 50, 63 mm) **RH** CUSTOMER DESIGNED DIAL
NS NICKELED SOCKET **SS** STAINLESS STEEL CASE

1 · 2 · 3 · 4 · 5 · 6

EXAMPLE : 63 · P60.505 · 1 · R · 16 BAR · NS

Calle Pirita 12450 Galpón 22
La Chimba Alto Antofagasta - Fono (55) 261 8313
www.promid.cl