

P60.5



BOURDON TUBE PRESSURE GAUGES STAINLESS STEEL CASE WITH LIQUID FILLING

CASE DIAMETER

40, 50 and 63 mm

ACCURACY CLASS PER EN 837-1/6

1,6

SCALE RANGES PER EN 837-1/5

40 mm :0...2,5 to 0...250 bar

50 mm :0...1 to 0...400 bar

63 mm :0...0,6 to 0...600 bar
or equivalent other units of pressure or vacuum

WORKING PRESSURE

Steady: 3/4 of full scale value

Fluctuating: 2/3 of full scale value

Short time: full scale value

OPERATING TEMPERATURE

Ambient: - 20 to + 60 °C

Process fluid: max 60 °C

STANDARD FEATURES

PROCESS CONNECTION

Material: brass

Thread size for diameter 40 mm:

1/8" BSP, BSPT or NPT-M, back;

Thread size for diameter 50 and

63 mm: 1/4" BSP, BSPT or NPT-M; lower
or center back

PRESSURE ELEMENT

Bourdon tube

≤ 40 bar: Cu-Alloy, C-type

> 40 bar: Cu-Alloy, helical-type

> 400 bar: Cu-Alloy, helical-type,
brazed

MOVEMENT

Brass

DIAL

Plastic with black markings on white
background, with pointer stop pin

POINTER

Black plastic pointer

CASE AND RING

Material: stainless steel AISI 304

Style: crimped ring

Protection class:

IP 65 – EN 60 529 / IEC 529

WINDOW

Non splintering clear, PMMA plastic

LIQUID FILLING

Glycerine

MOUNTING

Stem mounting

Panel mounting with front flange or

U - clamp

Surface mounting with back flange

OPTIONAL EXTRAS

Customer dial layout

Dry but fillable execution



Calle Pirita 12450 Galpón 22

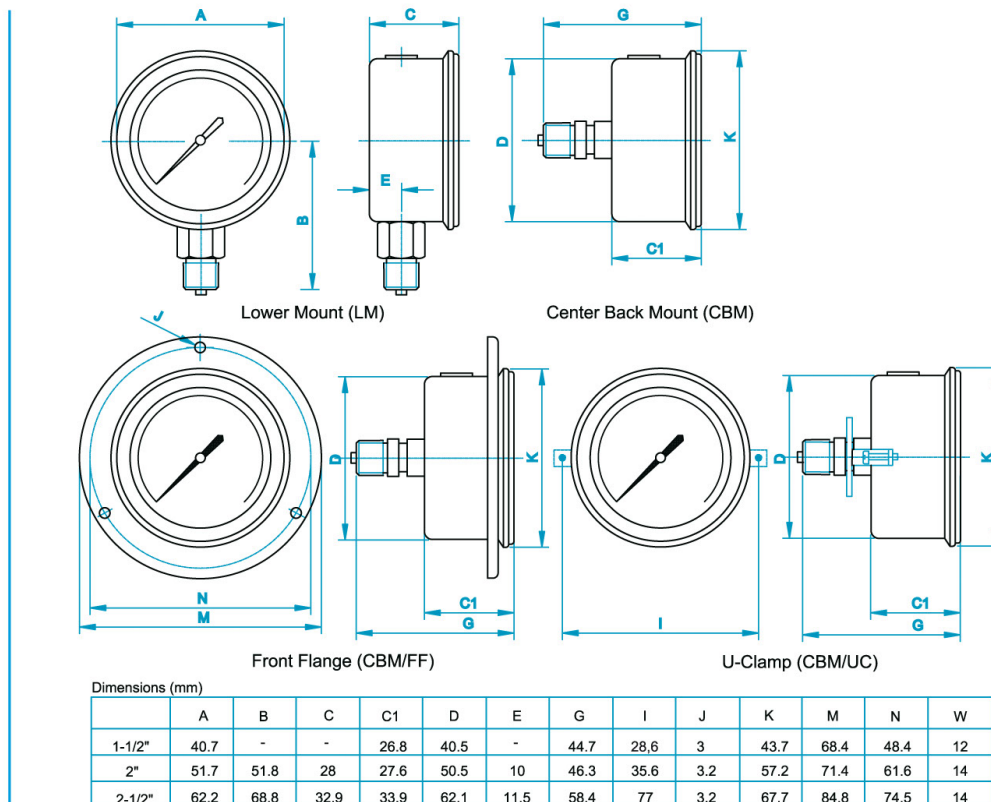
La Chimba Alto Antofagasta - Fono (55) 261 8313

www.promid.cl

P60.5



BOURDON TUBE PRESSURE GAUGES STAINLESS STEEL CASE WITH LIQUID FILLING



In the interest of technical progress IPEC reserves the right to modify, without prior notice, the specifications and material mentioned.

HOW TO ORDER

1) NOMINAL SIZE

40 50 63

2) BASIC MODEL : P60.5

3) GAUGE CONNECTION (*1)

1 1/4" BSPT - M **2** 1/4" NPT - M **3** 1/4" BSP - M

4) TYPE OF MOUNTING

L DIRECT BOTTOM ENTRY **R** DIRECT CENTRE BACK ENTRY
RF FLUSH PANEL FRONT FLANGE WITH BACK ENTRY
RB BACK ENTRY WITH MOUNTING BRACKET (U-CLAMP)
LF SURFACE/WALL MOUNTING WITH BOTTOM ENTRY

5) SCALE RANGE:

0...2,5 to 0...250 bar (case diameter 40 mm) - 0...1 to 0...400 bar (case diameter 50 mm)
 0...0,6 to 0...600 bar (case diameter 63 mm) or equivalent other units of pressure or vacuum

6) OPTIONS

RH CUSTOMER DESIGNED DIAL **DE** DRY BUT FILLABLE EXECUTION

(*1) Other process connection available on request

1 · **2** · **3** · **4** · **5** · **6**

EXAMPLE : **63** · **P60.5** · **3** · **R** · **100 BAR** · **RH**

Calle Pirita 12450 Galpón 22
La Chimba Alto Antofagasta - Fono (55) 261 8313
www.promid.cl