

P600SF



BOURDON TUBE PRESSURE GAUGES

ALL STAINLESS STEEL SAFETY PATTERN VERSION

MODEL P600SF / P600.5SF , WITHOUT / WITH LIQUID FILLING

With solid baffle wall according EN837-1

CASE DIAMETER

100 and 150 mm

ACCURACY CLASS

1.0

SCALE RANGE

0...0,6 to 0...1600 bar
or equivalent other units of
pressure or vacuum ranges

PRESSURE LIMITATION

Continuous service:
- steady pressure up to F.S. value
- fluctuating pressure up to 90%
F.S. value
- short time 1,3 per F.S. value for
range up to 100 bar and 1,15
per F.S. for range over 100 bar

OPERATING TEMPERATURE

Ambient :
-40 / +60 °C without liquid filling
-20 / + 60 °C with liquid filling
Medium :
+200 °C max. without liquid filling
+100 °C max. with liquid filling

TEMPERATURE EFFECT

When temperature of the
measuring system deviates
from reference temperature
(+ 20 °C) max error $\pm 0,4\%$ / 10K
of true scale value

STANDARD FEATURES

PROCESS CONNECTION

AISI 316 L stainless steel
Thread size 1/2" BSP or NPT
Lower

PRESSURE ELEMENT

AISI 316 L stainless steel
< 100 bar : C - type
> 100 bar : Helical type

MOVEMENT

Stainless steel, with over and
underload stop
Free zero

MEASURING SYSTEM

Bourdon tube and socket are
TIG-welded: one integral unit

DIAL

Aluminium with black
markings on white
background, dial arc 270 °C

POINTER

Adjustable, black aluminium

CASE AND RING

AISI 304 stainless steel
Bayonet ring style,
With solid baffle wall and
blow out back
Filling plug on top (to be used
also to vent case before use
for range < 16 bar)

INGRESS PROTECTION

IP 65 – EN 60 529 / IEC 529

GASKET

Neoprene rubber

WINDOW

Safety glass 4 mm thickness
for case DN100
Safety glass 4 mm thickness
for case DN150

LIQUID FILLING

(model P600.5SF)

Glycerine 99,7 %

OPTIONAL EXTRAS

Other process connection
Case and ring AISI 316 ss
Monel measuring system
Surface mounting with back
flange
Silicon oil case filling (ambient
temperature -40/+60)
Other liquids are available upon
request (such as compatible
with food processes or for
oxygen service)
Plastic window (not for ATEX)
Diaphragm seals (see DS data
sheet)
Oxygen service
Customer designed dials
Dial tag marking
Maximum reading pointer
Movement with dampening jelly
Screw restrictor
Accuracy class 0,5
Version per ATEX Ex II 2GD c



Calle Pirita 12450 Galpón 22
La Chimba Alto Antofagasta - Fono (55) 261 8313

www.promid.cl

P600SF

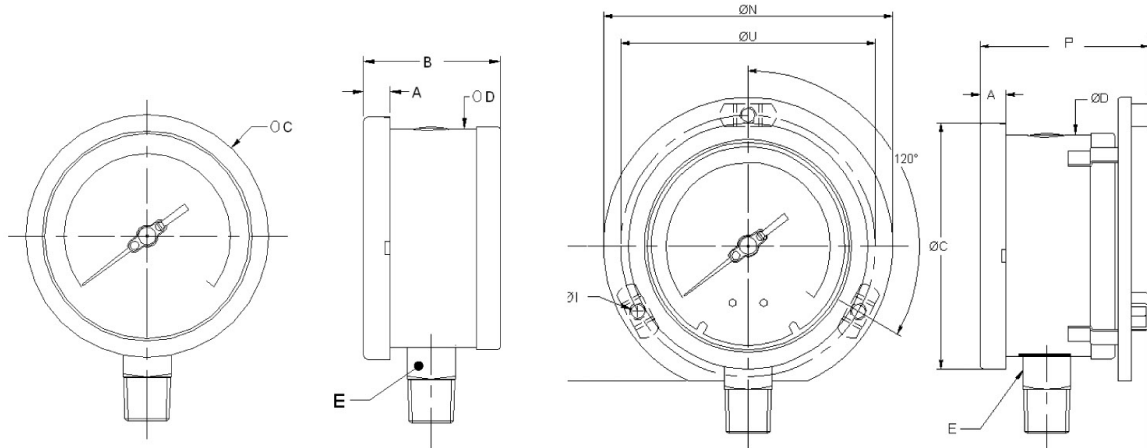


BOURDON TUBE PRESSURE GAUGES

ALL STAINLESS STEEL SAFETY PATTERN VERSION

MODEL P600SF / P600.5SF , WITHOUT / WITH LIQUID FILLING

With solid baffle wall according EN837-1



Dimensions (mm)

DN	A	B	C	D	E	N	U	H	I	J	P
100	12	66,5	111	100	22	Ø134	Ø118	49,5	Ø6	61	84,5
150	17	68,5	161	149	22	Ø186	Ø168	49,5	Ø6	79,4	86,5

How to order

1) **NOMINAL SIZE** 100 150

2) **BASIC MODEL** P600SF

3) **THREAD CONNECTION** (1) (1) Other connections available on request

1 1/4" BSPT-M

2 1/4" NPT-M

3 1/4" BSP-M

7 1/2" NPT-M

8 1/2" BSP-M

9 3/8" BSP-M

10 3/8" NPT-M

11 M 20 x 1,5

4) **TYPE OF MOUNTING**

L DIRECT BOTTOM ENTRY

LF SURFACE/WALL MOUNTING WITH BOTTOM ENTRY

5) **SCALE RANGE** 0...0,6 to 0...1600 bar (or equivalent other units of pressure or vacuum)

6) **OPTION** OA ACCURACY 0,5% OF F.S. P PLASTIC WINDOW CS AISI 316 CASE & RING
 PG GLYCERINE FILLED DAMPENING LIQUID PZ SILICON OIL FILLED DAMPENING LIQUID
 SJ MAXIMUM READING POINTER SX STAINLESS STEEL TAG PLATE SW DIAL TAG MARKING
 RH CUSTOMER DESIGNED DIAL AT ATEX VERSION MI MONEL WETTED PARTS (TUBE & SOCKET)
 MD MOVEMENT WITH DAMPENING JELLY OS OXYGEN SERVICE FS SILICON OIL FILLABLE
 PF DAMPENING LIQUID FLUOROLUBE FILLED PT DAMPENING SCREW RESTRICTOR AISI 316
 --- DIAPHRAGM SEAL (code and description data sheet "diaphragm seals")

EXAMPLE

1	2	3	4	5	6
100	P600	7	L	10 bar	OA - AT

ED. 08/2012 In the interest of technical progress ITEC reserve the right to modify, without prior notice, the specifications and material mentioned

Calle Pirita 12450 Galpón 22

La Chimba Alto Antofagasta - Fono (55) 261 8313

www.promid.cl