

P 600PH

BOURDON TUBE PRESSURE GAUGES TURRET STYLE

CASE DIAMETER

4,5"

ACCURACY CLASS PER EN 837-1/6

0,5% ANSI B40.1 Grade 2A

DESIGN

Solid Front to ANSI B 40.1

SCALE RANGES

0...0.6 to 0...1600 bar
or equivalent other units of pressure or vacuum

WORKING PRESSURE

Continuous service up to maximum rating
Intermittent service up to 1,3 times maximum rating for ranges up to 60 bar; up to 1,15 times for ranges over 100 bar
Fluctuating up to 90% of maximum rating only

OPERATING TEMPERATURE

Ambient: - 40 to 65 °C
Process fluid: max 200 °C

TEMPERATURE ERROR

When temperature of the pressure element deviates from +20 °C:
rising temperature: + 0,4% / 10 °C of true scale value
falling temperature: - 0,4% / 10 °C of true scale value

STANDARD FEATURES

PROCESS CONNECTION

Material: stainless steel AISI 316
Thread size: 1/2" BSP or NPT - M
Lower

PRESSURE ELEMENT

Stainless steel AISI 316-L
- 1 to 60 bar: C-type
100 to 1600 bar: helical type

MEASURING SYSTEM

Bourdon tube and socket are TIG-welded: one integral unit

MOVEMENT

Stainless steel AISI 304

DIAL

Aluminium with black markings on white background. Dial arc 270°

POINTER

Adjustable, black aluminium pointer

CASE AND RING

Material: polypropylene black
Style: threaded ring
Protection class:
IP 65 - EN 60 529 / IEC 529

WINDOW

Plexiglass

GASKET

Neoprene rubber

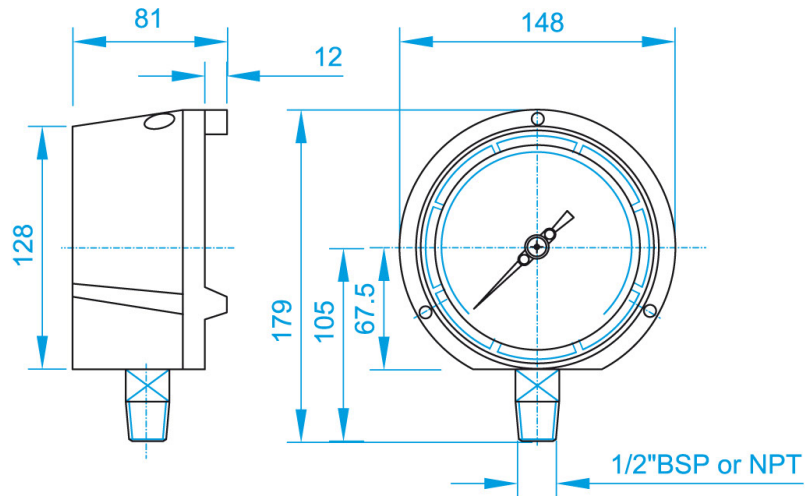
OPTIONAL EXTRAS

Other process connection
Monel measuring system
Glycerine filled case (+15 to +65 °C)
Silicon oil filled case (-45 to +100 °C)
Other liquids such as compatible with food processes or for oxygen service (Galden = Perfluorinated polyethers) are available upon request
Safety glass or plain glass window
Diaphragm seals (see data sheet DS)
Oxygen service
Customer designed dial
Safety glass window



P 600PH

BOURDON TUBE PRESSURE GAUGES TURRET STYLE



In the interest of technical progress ITEC reserves the right to modify, without prior notice, the specifications and material mentioned.

HOW TO ORDER

- 1) NOMINAL SIZE**
125 (4,5")
 - 2) BASIC MODEL**
P600PH
 - 3) GAUGE CONNECTION**
1 1/4" BSPT - M 2 1/4" NPT - M 3 1/4" BSP - M 7 1/2" NPT - M
8 1/2" BSP - M 9 3/8" BSP - M 10 3/8" NPT - M
 - 4) TYPE OF MOUNTING**
L DIRECT BOTTOM ENTRY R DIRECT CENTER BACK ENTRY (ONLY IN ST. STEEL WETTED PARTS)
 - 5) SCALE RANGE:**
0...0,6 to 0...1600 bar or equivalent other units of pressure or vacuum
 - 6) OPTIONS**
MI MONEL WETTED PARTS (TUBE & SOCKET) FS SILICON OIL FILLABLE EXECUTION
MD MOVEMENT WITH DAMPENING JELLY OS OXYGEN SERVICE
SF SAFETY GLASS WINDOW SX SS TAG PLATE SW DIAL TAG MARKING
RH CUSTOMER DESIGNED DIAL PF DAMPENING LIQUID FLUOROLUBE FILLED
PG DAMPENING LIQUID GLYCERINE FILLED PZ DAMPENING LIQUID SILICON FILLED
PT DAMPENING SCREW RESTRICTOR AISI 316 - - - DIAPHRAGM SEAL [*1]
- [*1] Codes and description on data sheet "Diaphragm seals"

EXAMPLE :

1	2	3	4	5	6
125	P600PH	7	L	40 BAR	PG-SF