

# P600

## **BOURDON TUBE PRESSURE GAUGES** **"OPEN FRONT" ALL STAINLESS STEEL AS PER EN 837.1** **MODEL P600 / P600.5 , WITHOUT / WITH LIQUID FILLING**

### CASE DIAMETER

100 and 150 mm

### ACCURACY CLASS

1.0

### SCALE RANGE

0...0,6 to 0...1600 bar  
 or equivalent other units of  
 pressure or vacuum ranges

### PRESSURE LIMITATION

Continuous service:  
 - steady pressure up to F.S. value  
 - fluctuating pressure up to 90%  
 F.S. value  
 - short time 1,3 x F.S. value for  
 range up to 100 bar and 1,15  
 x F.S. for range over 100 bar

### OPERATING TEMPERATURE

Ambient :  
 -40 / +60 °C without liquid filling  
 -20 / + 60 °C with liquid filling  
 Medium :  
 +200 °C max. without liquid filling  
 +100 °C max. with liquid filling

### TEMPERATURE EFFECT

When temperature of the  
 measuring system deviates  
 from reference temperature  
 (+ 20 °C) max error  $\pm 0,4\%$  /10K  
 of true scale value

### STANDARD FEATURES

### PROCESS CONNECTION

AISI 316 L stainless steel  
 Thread size for lower or back  
 mounting :  
 1/2" BSP or NPT

### PRESSURE ELEMENT

AISI 316 L stainless steel  
 < 100 bar : C - type  
 > 100 bar : Helical type

### MOVEMENT

Stainless steel, with over and  
 underload stop  
 Free zero

### MEASURING SYSTEM

Bourdon tube and socket are  
 TIG-welded: one integral unit

### DIAL

Aluminium with black  
 markings on white  
 background, dial arc 270 °C

### POINTER

Adjustable, black aluminium

### CASE AND RING

AISI 304 stainless steel  
 Bayonet ring style  
 with pressure relief in case  
 back  
 Filling plug on top (to be used  
 also to vent case before use  
 for range  $\leq 16$  bar)

### INGRESS PROTECTION

IP 65 – EN 60 529 / IEC 529

### WINDOW

Safety glass 4 mm thickness

### GASKET

Neoprene rubber

### LIQUID FILLING (model P600.5)

Glycerine 99,7 %  
 (ambient temperature +15/+60 °C)

### OPTIONAL EXTRAS

Other process connection  
 Case and ring AISI 316 ss  
 Monel measuring system  
 Surface mounting with back  
 flange  
 Panel mounting with front  
 flange  
 U-clamp connection  
 Silicon oil case filling (ambient  
 temperature -40/+60)  
 Other liquids are available upon  
 request (such as compatible  
 with food processes or for  
 oxygen service)  
 Electric contacts (see CE data  
 sheet) (1)  
 Plastic window (not for ATEX)  
 Diaphragm seals (see DS data  
 sheet)  
 Oxygen service  
 Customer designed dials  
 Dial tag marking  
 Maximum reading pointer  
 Movement with dampening jelly  
 Screw restrictor  
 Accuracy class 0,5  
 Version per ATEX Ex II 2GD c

Note:

(1) ATEX version: only DN 100,  
 high case, contact underdial,  
 inductive contact only



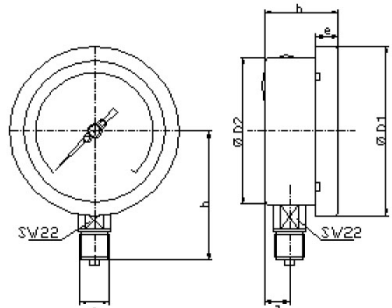
**HEC**

**Calle Pirita 12450 Galpón 22**

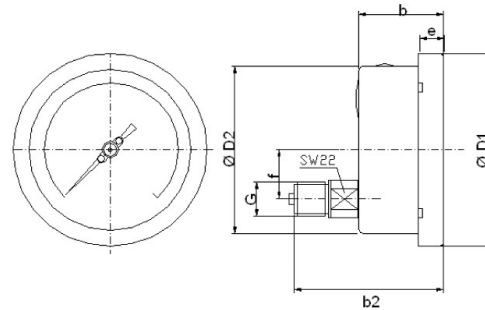
**La Chimba Alto Antofagasta - Fono (55) 261 8313**

**www.promid.cl**

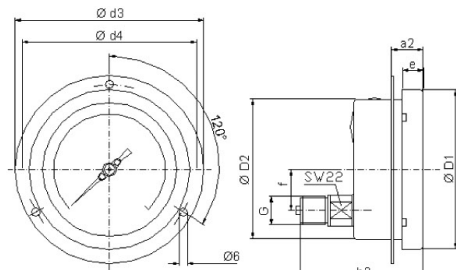
# P600



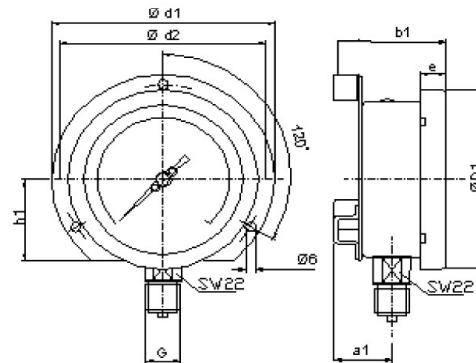
LOWER CONNECTION



BACK CONNECTION



FRONT FLANGE



BACK FLANGE

### Dimensions (mm)

	a	a1	a2	b	b1	b2	D1	D2	d1	d2	d3	d4	e	f	G*	h	h1
100	16	20	23	48	61	90	110.5	100	134	118	135	118	12.5	30	1/2"	88	52
150	16	20	23	49	62	92	161	149.5	190	168	186	168	15	48	1/2"	111	85

\* BSP or NPT

### How to order

1) **NOMINAL SIZE**    100    150

2) **BASIC MODEL**    P600

3) **THREAD CONNECTION** (1)                      (1) Other connections available on request

1 1/4" BSPT-M                      2 1/4" NPT-M                      3 1/4" BSP-M                      7 1/2" NPT-M  
 8 1/2" BSP-M                      9 3/8" BSP-M                      10 3/8" NPT-M                      11 M 20 x 1,5

4) **TYPE OF MOUNTING**

L DIRECT BOTTOM ENTRY    R DIRECT BACK ENTRY  
 LF SURFACE/WALL MOUNTING WITH BOTTOM ENTRY  
 RF FLUSH PANEL FRONT FLANGE WITH BACK ENTRY  
 RB LOWER BACK ENTRY WITH MOUNTING BRACKET (U-CLAMP)

5) **SCALE RANGE**    0...0,6 to 0...1600 bar    (or equivalent other units of pressure or vacuum)

6) **OPTION**    OA ACCURACY 0,5% OF F.S.    P PLASTIC WINDOW    CS AISI 316 CASE & RING  
 PG GLYCERINE FILLED DAMPENING LIQUID    PZ SILICON OIL FILLED DAMPENING LIQUID  
 SJ MAXIMUM READING POINTER    SX STAINLESS STEEL TAG PLATE    SW DIAL TAG MARKING  
 RH CUSTOMER DESIGNED DIAL    AT ATEX VERSION    MI MONEL WETTED PARTS (TUBE & SOCKET)  
 MD MOVEMENT WITH DAMPENING JELLY    OS OXYGEN SERVICE    FS SILICON OIL FILLABLE  
 PF DAMPENING LIQUID FLUOROLUBE FILLED    PT DAMPENING SCREW RESTRICTOR AISI 316  
 --- DIAPHRAGM SEAL (code and description data sheet "diaphragm seals")  
 --- ELECTRIC CONTACTS (code and description data sheet "electric contacts")

<b>EXAMPLE</b>	1	2	3	4	5	6
	100	P600				

ED. 12/2009 in the interest of technical progress ITEC reserve the right to modify, without prior notice, the specifications and material mentioned

Calle Pirita 12450 Galpón 22

La Chimba Alto Antofagasta - Fono (55) 261 8313

www.promid.cl