

DP 200



DIFFERENTIAL PRESSURE GAUGES CAPSULE TYPE

CASE DIAMETER

150 mm

ACCURACY CLASS PER EN 837-3/6

1,6

SCALE RANGES PER EN 837-3/5

0 ... 6 to 0... 250 mbar
or equivalent other units of pressure

OVERPRESSURE SAFETY

No overpressure safety when
pressure applied at one side only

STATIC PRESSURE RATING

250 mbar

OPERATING TEMPERATURE

Ambient: -25 to 65 °C
Process fluid: max 65 °C

TEMPERATURE ERROR

When temperature of the pressure
element deviates from +20 °C:
rising temperature: + 0,6% / 10 °C
of true scale value
falling temperature: - 0,6% / 10 °C
of true scale value

STANDARD FEATURES

PROCESS CONNECTION

Material: stainless steel AISI 316
Thread size: 2 x 1/2" NPT or BSP - M
Lower or back

PRESSURE ELEMENT

Capsule stainless steel AISI 316

SEALING RING

FKM (Viton)

MOVEMENT

Nickel-plated brass

DIAL

Aluminium with black markings on
white background

POINTER

Black aluminium pointer

CASE AND RING

Material: stainless steel AISI 316
Style: bayonet ring
Protection class:
IP 67 – EN 60 529 / IEC 529

WINDOW

Acrylic glass 4 mm

GASKET

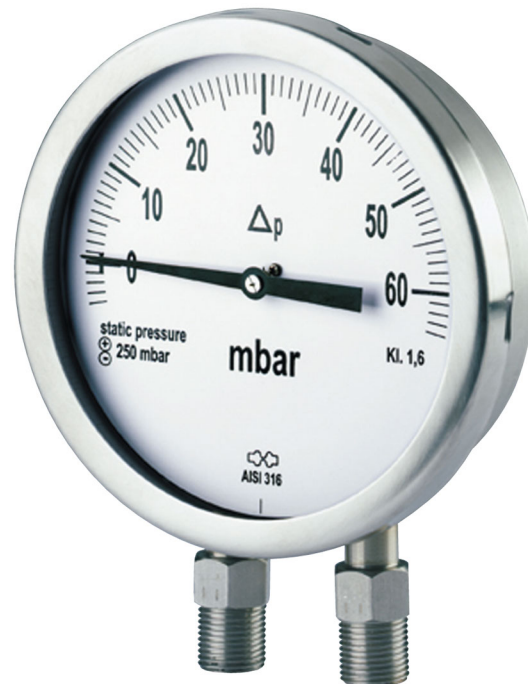
Neoprene rubber

MOUNTING

Stem mounting
Panel mounting with front flange
Surface mounting with back flange
Pressure entries identified + and -
+ high pressure
- low pressure

OPTIONAL EXTRAS

Other threaded process connection
Three way or five way valve manifold
(see data sheet A33, A35)
Customer designed dial
Safety glass window

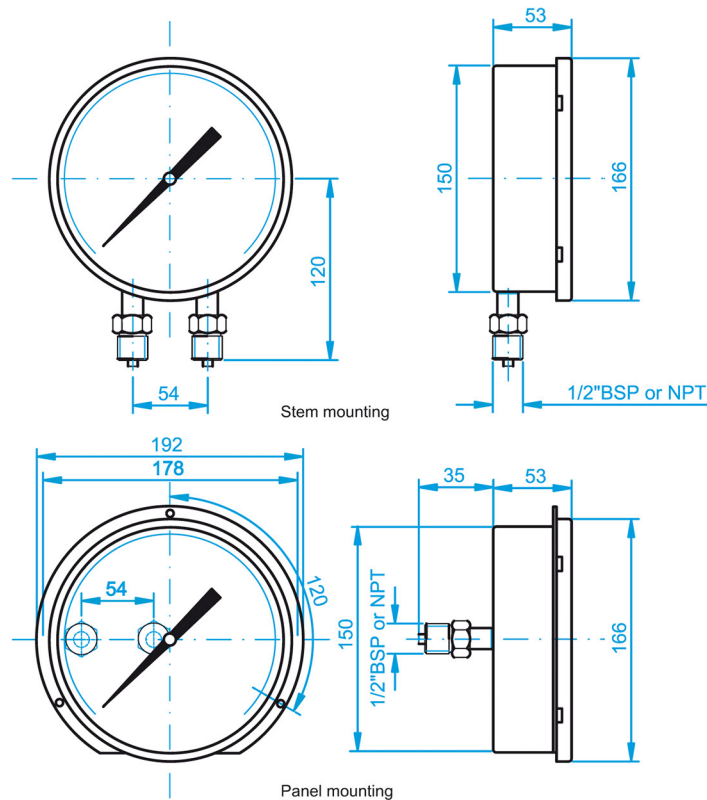


Calle Pirita 12450 Galpón 22
La Chimba Alto Antofagasta - Fono (55) 261 8313

DP 200



DIFFERENTIAL PRESSURE GAUGES CAPSULE TYPE



In the interest of technical progress, ITEC reserves the right to modify, without prior notice, the specifications and material mentioned.

HOW TO ORDER

1) NOMINAL SIZE

150

2) BASIC MODEL

DP200

3) GAUGE CONNECTION

2 1/4" NPT - M **3** 1/4" BSP - M **7** 1/2" NPT - M **8** 1/2" BSP - M

4) TYPE OF MOUNTING

L DIRECT BOTTOM ENTRY **LF** SURFACE/WALL MOUNTING
RF FLUSH PANEL FRONT FLANGE

5) SCALE RANGE

0...0,6 to 0...250 mbar or equivalent other units of pressure or vacuum

6) OPTIONS

SF SAFETY GLASS WINDOW **SX** SS TAG PLATE **SW** DIAL TAG MARKING
RH CUSTOMER DESIGNED DIAL **MN** MANIFOLD VALVES **(*1)**

(*1) Codes and description on data sheet A33 and A35

1 · **2** · **3** · **4** · **5** · **6**

EXAMPLE :

150 · **DP200** · **8** · **L** · **25 MBAR** · **A33**

Calle Pirita 12450 Galpón 22
La Chimba Alto Antofagasta - Fono (55) 261 8313