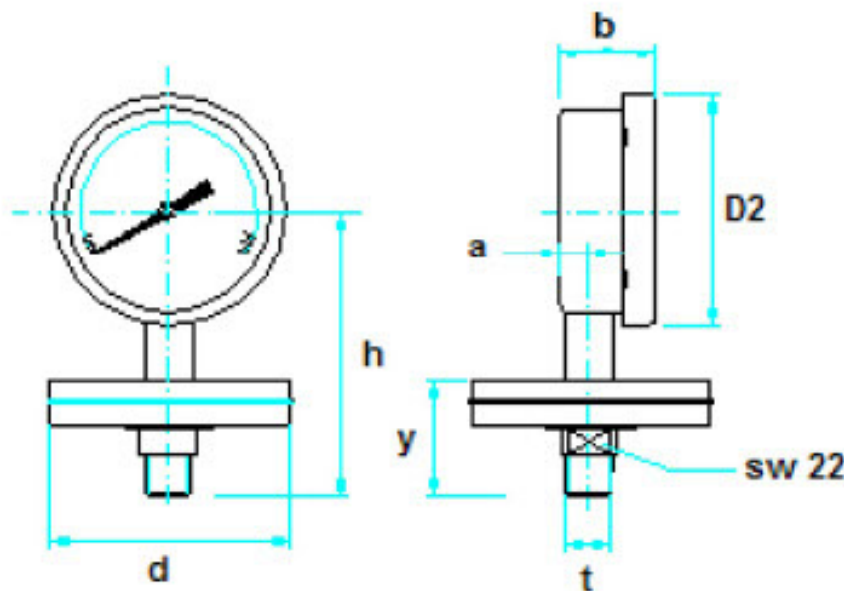


P 400abs



ABSOLUTE PRESSURE GAUGES



Dimensions (mm)

DN	Range	d	a	b	D2	t	h	y	Weight Kg
100	0/25 to 0/250 mbar	150	17	52	100	1/2" BSP or NPT	146	55	2,6
150			17	52	150	1/2" BSP or NPT	171	55	3,2
100	0/0,4 to 0/25 bar	110	17	52	100	1/2" BSP or NPT	146	55	1,8
150			17	52	150	1/2" BSP or NPT	171	55	2,2

How to order

- NOMINAL SIZE** 100 150
- BASIC MODEL** P400abs
- GAUGE CONNECTION** 7 1/2" NPT-M 8 1/2" BSP-M
- TYPE OF MOUNTING** L DIRECT BOTTOM ENTRY
- SCALE RANGE** 0...25 mbar to 0...25 bar
- OPTION** SF SAFETY GLASS WINDOW P PLASTIC WINDOW CS AISI 316 CASE & RING
PG GLYCERINE FILLED DAMPENING LIQUID PZ SILICON OIL FILLED DAMPENING LIQUID
SX STAINLESS STEEL TAG PLATE SW DIAL TAG MARKING MH HASTELLOY C276 DIAPHRAGM
RH CUSTOMER DESIGNED DIAL FL FLANGED PROCESS CONNECTION (flanges per UNI-EN or ANSI standard)

--- ELECTRIC CONTACTS (code and description data sheet "electric contacts")

EXAMPLE

1	2	3	4	5	6
100	P400abs	7	L	160 mbar	SF-SX



Calle Pirita 12450 Galpón 22

La Chimba Alto Antofagasta - Fono (55) 261 8313

P 400abs

ABSOLUTE PRESSURE GAUGES

CASE DIAMETER

100 and 150 mm

ACCURACY CLASS

1.6

SCALE RANGE

0...25 to 0...400 mbar
0...0,4 to 0...25 bar
or equivalent in other units of
absolute pressure

OVERPRESSURE SAFETY

Standard: 5 x full scale value,
25 bar max.

OPERATING TEMPERATURE

Ambient :
-25 / +65 °C without liquid filling
-20 / +60 °C with liquid filling
Medium :
+200 °C max. without liquid filling
+100 °C max. with liquid filling

TEMPERATURE EFFECT

When temperature of the
measuring system deviates
from reference temperature
(+ 20 °C) max error $\pm 0,4\%/10K$
of true scale value

STANDARD FEATURES

PROCESS CONNECTION

AISI 316 L stainless steel
Thread size 1/2" BSP or NPT

PRESSURE ELEMENT

AISI 316 stainless steel
diaphragm

PRESSURE CHAMBER

AISI 316 stainless steel
lower and upper diaphragm
housing

SEALING BELLOW

AISI 316 stainless steel

PIVOT

AISI 303 stainless steel

MOVEMENT

AISI 304 stainless steel, rotary
geared

DIAL

Aluminium with black
markings on white
background, dial arc 270 °C

POINTER

Adjustable, black aluminium

CASE AND RING

AISI 304 stainless steel
Bayonet ring style
with pressure relief in case
back
Filling plug on top

INGRESS PROTECTION

IP 65 - EN 60 529 / IEC 529

WINDOW

Glass 4 mm thickness

GASKET

Neoprene rubber

MOUNTING

Lower connection

OPTIONAL EXTRAS

Other process connection
Case and ring AISI 316 ss
Hastelloy C276 diaphragm
Glycerine case filling (ambient
temperature +15/+60)
Silicon oil case filling (ambient
temperature -40/+60)
Electric contacts (see CE data
sheet)
Plastic window
Customer designed dials
Dial tag marking



**Calle Pirita 12450 Galpón 22
La Chimba Alto Antofagasta - Fono (55) 261 8313**